



The Model PM04 comes with a graphical display based on Chip-On-Glass and FSTN technology, which gives a sharp, readable display that won't lose segments throughout its life.



#### APPLICATIONS

- Sprinkler & drip irrigation systems
- Well monitoring & automation
- Water distribution and surface water
- Gravity turnouts from underground pipelines
- Commercial nurseries, chemigation & fertigation
- Water and wastewater management

#### DESCRIPTION

The **Model PM04 Flanged Tube Meter** is designed for a wide range of applications up to 150 PSI working pressure. The fabricated steel tubes' connections are AWWA Class D flat face steel flanges, and are equipped with straightening vanes to reduce the amount of straight pipe required for proper accuracy. Additionally, they are protected internally and externally with 12-15 mils of NSF-approved, fusion bonded epoxy resin. The metering unit can be easily removed from the tube for inspection and/or maintenance. Its optimized and modern construction relies primarily on electronic components, reducing the amount of moving parts (except for the propeller). Having less mechanical parts simplifies the maintenance process and reduces its cost.

#### INSTALLATION

The installation of the PM04 is performed similar to installing a short flanged spool into the line. The meter can be installed to any line with AWWA Class D flanged connections (or flanges with ANSI 150# bolt pattern). A fully developed flow in a full pipe is required to ensure the meter's accuracy. Any obstructions, such as valves or fittings, must be placed at a minimum of 5 pipe diameters upstream and 1 pipe diameter downstream from the meter.

#### OPTIONAL EQUIPMENT

OCTF-XX: Pulse Output Kit—Includes 6+ feet of cable  
RMTF-XX: Remote Mount Kit—Up to 100 feet of cable  
TR420: 4-20 mA Output—DC Powered (9-30 Vdc) transmitter

#### INDICATOR-TOTALIZER

The Model PM04 meter is equipped with a battery-powered microcontroller-based indicator-totalizer. The digital display features a 5-digit autorange indicator and an 8-digit totalizer, which can be configured to the operator's desired units in a matter of seconds. All TechnoFlo meters are entirely field-programmable and include a scaled pulse output. Once programmed, a passcode can be used to lock the settings and prevent unauthorized changes to the transmitter's functions and parameters. An aluminum housing provides the digital display with increased protection against the elements and hazards encountered in the field.

#### MATERIALS

- Housing** — Powder-coated aluminum
- Propeller** — Injection molded thermoplastic
- Drop Pipe** — 304 Stainless steel
- Bearing** — Long-life, water-lubricated ceramic
- Meter Head** — 304 Stainless steel
- Meter Tube** — Epoxy-coated fabricated steel

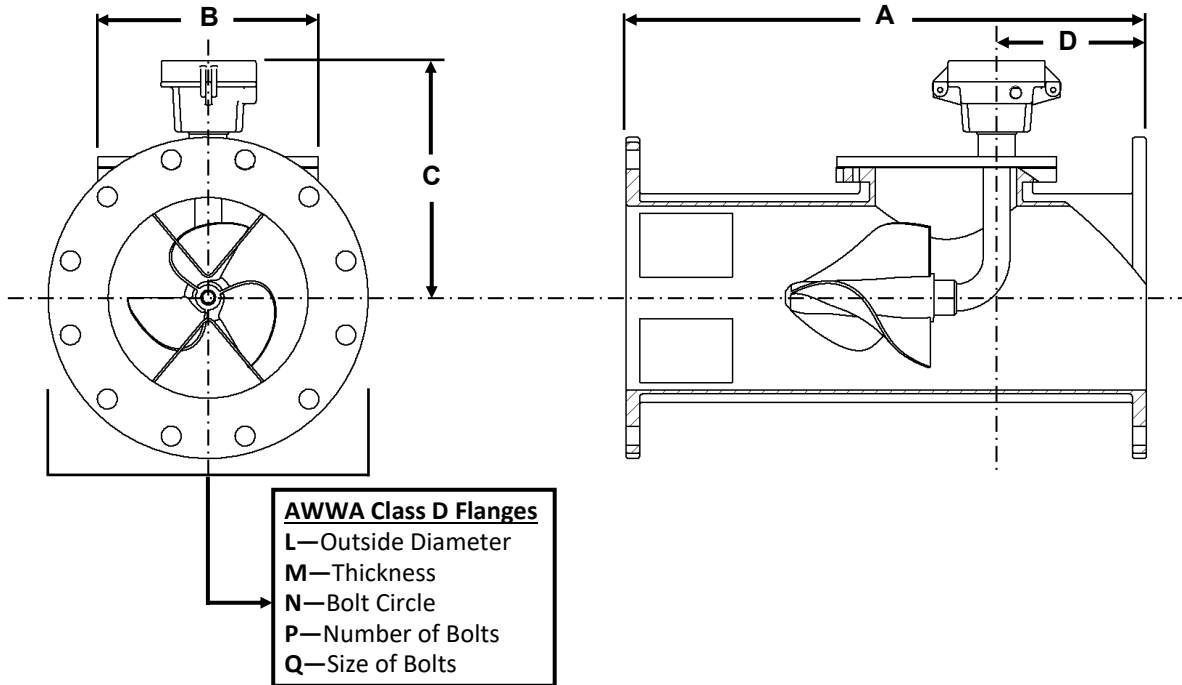
#### SPECIFICATIONS

- Accuracy:** +/- 2% of actual flow  
+/- 1% over reduced range
- Max. Temp:** 140 °F Maximum
- Pressure Rating:** 150 PSI (Max. working pressure)
- Battery Life:** 5+ years (depends on hours of use)

Meets AWWA C704-12 Standard

## MODEL PM04

150 PSI Flanged Tube Meter  
 Electronic Propeller Meter  
 Digital Indicator-Totalizer  
 Sizes 4" through 48"



METER & PIPE SIZE	FLOW RANGES, GPM			DIMENSIONS, INCHES									SHIPPING WEIGHT, POUNDS
	MIN	MAX	INT	A	B	C	D	L	M	N	P	Q	
4	55	500	700	18	9	8 ⅞	7	9	5/8	7 ½	8	5/8	
6	120	1200	1500	22	9	9 ⅞	9	11	11/16	9 ½	8	¾	
8	150	1500	2000	24	9	10 ⅞	9	13 ½	11/16	11 ¼	8	¾	
10	180	2000	3000	26	11	11 ⅞	10	16	11/16	14 ¼	12	7/8	
12	200	3000	3500	28	11	12 ⅞	10	19	13/16	17	12	7/8	
14	300	4000	4500	42	13 ½	13 ⅞	12	21	15/16	18 ¾	12	1	
16	400	5000	6000	48	13 ½	14 ⅞	12	23 ½	1	21 ¼	16	1	
18	550	6000	7500	54	13 ½	15 ⅞	15	25	1 1/16	22 ¾	16	1 ⅞	
20	650	8000	9000	60	13 ½	16 ⅞	15	27 ½	1 ⅞	25	20	1 ⅞	
24	1000	10000	13500	72	21	20 ⅞	18	32	1 ¼	29 ½	20	1 ¼	
30	1600	15000	21000	84	21	23 ⅞	18	38 ¾	1 ⅞	36	28	1 ¼	
36	2000	20000	30000	96	21	26 ⅞	20	46	1 ⅞	42 ¾	32	1 ½	
42	2800	30000	40000	96	32	29 ⅞	24	53	1 ¾	49 ½	36	1 ⅞	
48	3500	35000	50000	96	32	32 ⅞	24	59 ½	1 ⅞	56	44	1 ⅞	

Seametrics • 19026 72nd Avenue South • Kent, Washington 98032 • USA  
 (P) 253.872.0284 • (F) 253.872.0285 • 1.800.975.8153 • seametrics.com