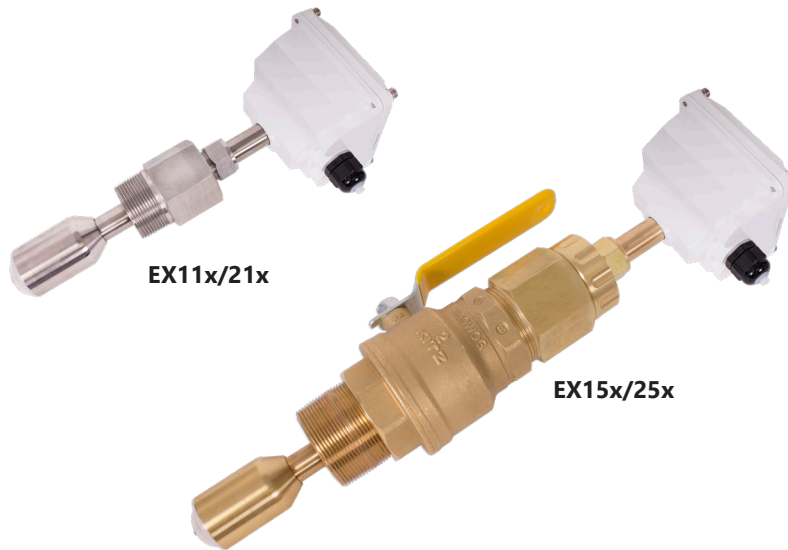


EX100/200-SERIES

INSERTION ELECTROMAGNETIC FLOW SENSOR



APPLICATIONS

3" - 48" pipe (up to 72" optional)
Clean or "dirty" liquids
Conductive liquids
Municipal
Industrial
Irrigation

Features

- No moving parts
- Durable
- Adjustable depth
- Hot-tap available
- Brass or stainless steel
- Immersibility (optional)
- Reverse flow output (optional)
- NSF/ANSI standard 61 & 372 (stainless only)
- Data logger (optional)
- Sensus smart output (optional with display)

Contact Your Supplier

The **EX100/200-Series** are adjustable depth insertion magmeters that fit 3" to 48" pipe (up to 72" optional). The complete lack of moving parts of the EX100/200-Series is the source of its reliability. Brass and stainless steel models withstand a variety of temperature, pressure, and chemical conditions. The EX-Series has no rotor to stop turning in dirty water and there are no bearings to wear out. Like all magmeters, when used in chemical injection applications, these meters should be installed upstream of the chemical line (or far enough downstream to allow complete mixing of fluids before the meter). Adapters mate with standard 1-1/2" (11x/21x) or 2" (15x/25x) FNPT threaded fittings such as saddles and weldolets which may be purchased either locally or from Seametrics.

A rapidly reversing magnetic field is produced in the lower housing. As the fluid moves through this field, a voltage is generated that is measured and translated into a frequency signal proportional to flow rate. This square wave signal can be sent directly to a PLC or other control or can be converted using any of the Seametrics family of indicators and converters. A modular system of electronics can be installed directly on the flow sensor or mounted remotely. The FT430 (externally powered with pulse) and the FT440 (loop powered), both provide digital rate and total displays, as well as a programmable pulse; the FT440 also provides a 4-20 mA analog output.

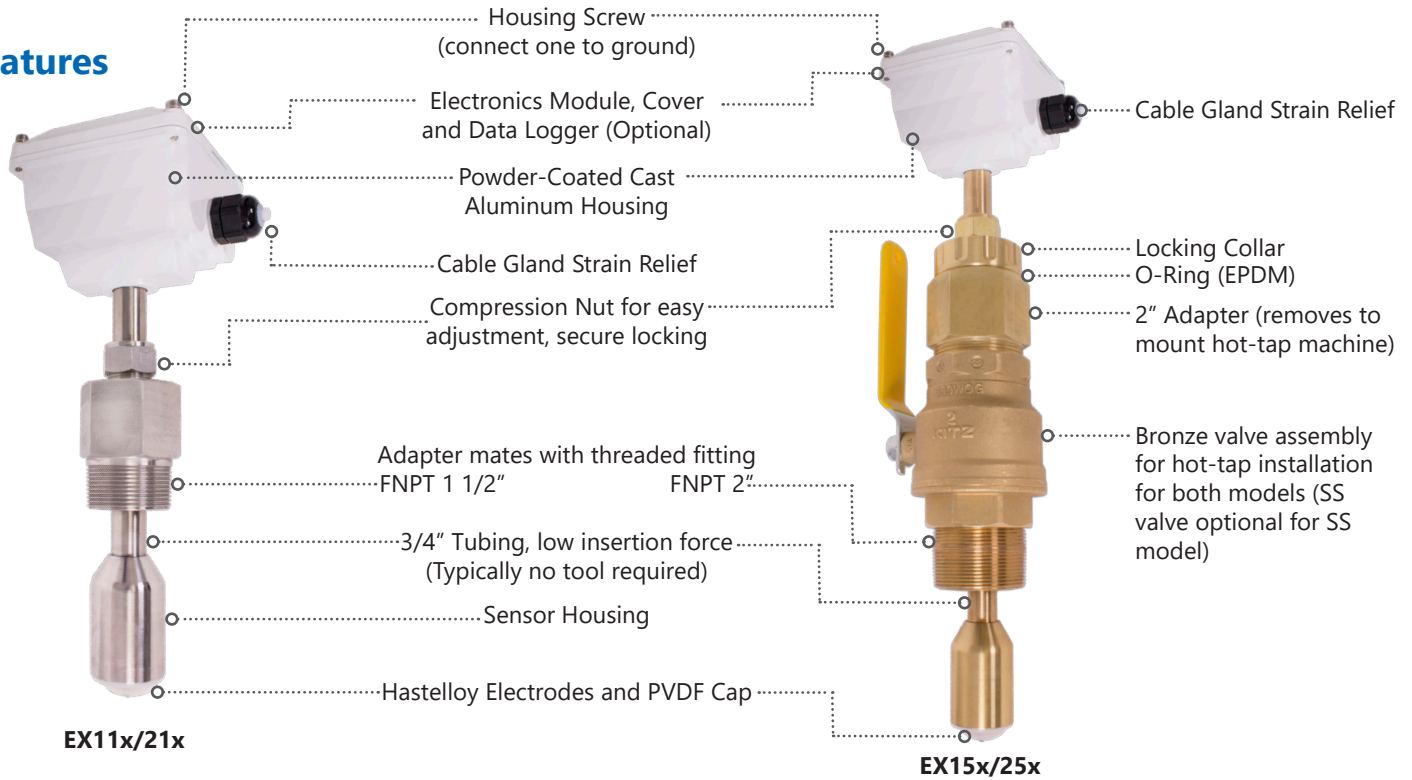
The "hot-tap" models (EX15x/25x) can be installed or serviced without shutting down the line by means of a 2" full-port isolation valve that comes with a nipple for installation on the pipe fitting; a bronze ball valve is standard on both models, with a 316 stainless steel valve optional if needed. In most circumstances, no special tool is required.



EX100/200-SERIES
INSERTION ELECTROMAGNETIC
FLOW SENSOR



Features

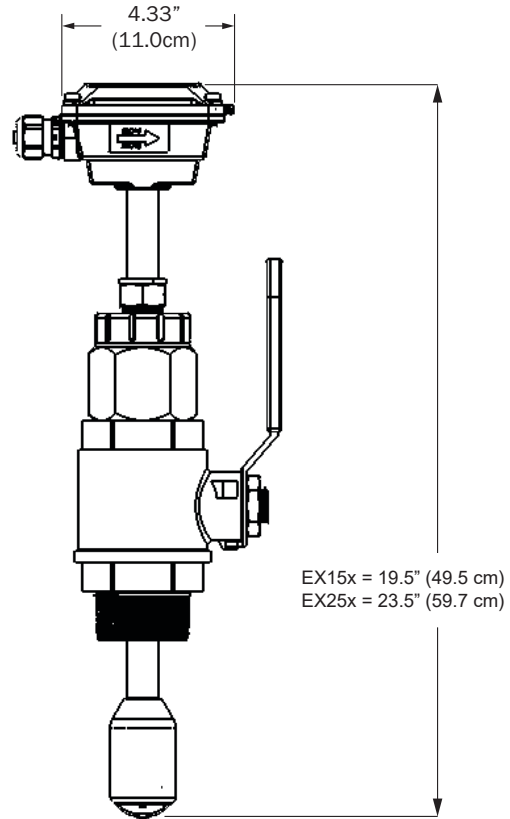
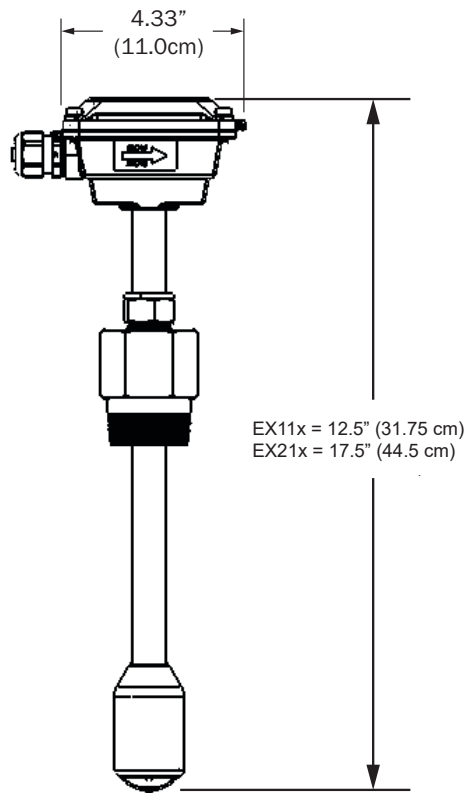


Specifications*

Pipe Size	3" to 48" (up to 72" optional)	
Power	Full Power: 12 - 24 Vdc, 250mA	Low Power: 12 - 24 Vdc, 40mA average with 250mA peaks
Materials	Housing	Powder-coated cast aluminum
	Tubing/Fitting/Sensor Housing	Brass or 316 Stainless Steel
	Electrodes	Hastelloy
	Electrode Cap	PVDF
	O-Ring (15x/25x only)	EPDM
	Valve Assembly (15x/25x only)	Bronze ball valve, both models (Stainless steel valve optional for stainless steel model)
Fitting Size Required	11x/21x: 1.5" FNPT	15x/25x: 2" FNPT
Maximum Pressure	200 psi (14 bar)	
Temperature	Ambient	0° to 160° F (-17° to 72° C)
	Fluid	32° to 200° F (0° to 93° C)
Minimum Conductivity	20 microSiemens/cm	
Flow Velocity	0.28 - 20 ft/sec (0.08 - 6.09 m/sec)	
Accuracy	± 1% of full scale	
Output	Square wave pulse, opto-isolated, 500 Hz @ 20 ft/sec 6 mA max, 30Vdc forward flow standard; reverse flow optional	
Empty Pipe Detection	Software, defaults to zero flow	
Cable	Standard 18' (6m), #22 shielded twisted pair, 4-conn. Max. cable run at 24 Vdc = 1000' (300m); at 12 Vdc = 500' (150m). For other circumstances, contact the factory.	
Environmental	See meter mounted electronic specification for rating.	
Regulatory	CE Mark (applies to full power sensor only configuration and full power FT 430/440 mounted configurations). Certified to NSF/ANSI standard 61 and NSF 372 (Stainless only)	

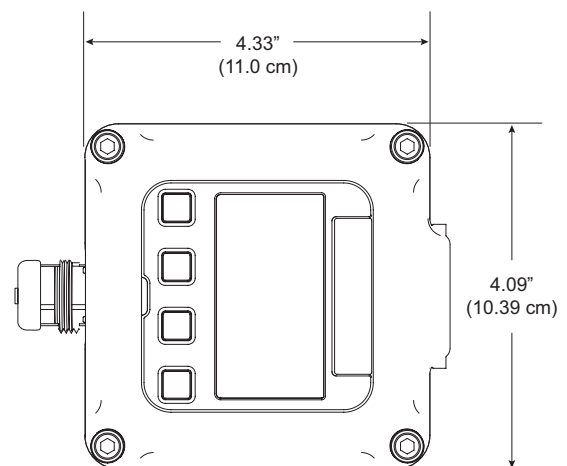
*Specifications subject to change • Please consult our website for current data (www.seametrics.com).

Dimensions



Flow Range

Flow Range (GPM)		
Nominal Pipe Size	Minimum Flow	Maximum Flow
3	6	440
4	11	783
6	25	1,762
8	44	3,133
10	69	4,895
12	99	7,050
14	134	9,596
16	175	12,533
18	222	15,863
20	274	19,584
24	395	28,200
30	617	44,064
36	888	63,452
48	1,580	112,804



EX100/200-SERIES
INSERTION ELECTROMAGNETIC
FLOW SENSOR



How to Order

	Description	Size	Sensor Material	Options (110/210)	Options (150/250)
Sensor Only	Externally powered (12 - 24Vdc) sensor only.	3" - 10" pipe = EX110 10" - 48" pipe = EX210	Brass = B 316 Stainless = S	Brass Adapter Fitting 2" NPT = -02 SS Adapter Fitting 2" NPT = -02 Reverse Flow Output = -15 Old Style Adaptor 1-1/2" NPT = -35 *Immersible = -40 Low Power = -50 12" Extension (200 Series Only) = -72	316 SS Valve Assembly = -08 No Valve Assembly = -09 Reverse Flow Output = -15 *Immersible = -40 Low Power = -50 12" Extension (200 Series Only) = -72
	Hot Tap 3" - 10" pipe = EX150 10" - 48" pipe = EX250				
	Description	Size	Sensor Material	Options (113/213)	Options (153/253)
FT430 Mounted on Sensor	Externally powered sensor (12 - 24Vdc) with FT430 rate and total indicator (with pulse outputs) mounted on the sensor.	3" - 10" pipe = EX113 10" - 48" pipe = EX213	Brass = B 316 Stainless = S	Brass Adapter Fitting 2" NPT = -02 SS Adapter Fitting 2" NPT = -02 Reverse Flow Output = -15 Tamper Evident Kit = -32 Old Style Adaptor 1-1/2" NPT = -35 Low Power = -50 Non-resettable Total = -64 12" Extension (200 Series Only) = -72 Dual Relay Output = -98 Hinged Display Cover = -126 Internal Data Logger = -127 Sensus Smart Output (Includes 6' Cable) = -150	316 SS Valve Assembly = -08 No Valve Assembly = -09 Reverse Flow Output = -15 Tamper Evident Kit = -32 Non-resettable Total = -64 12" Extension (200 Series Only) = -72 Dual Relay Output = -98 Hinged Display Cover = -126 Internal Data Logger = -127 Sensus Smart Output (Includes 6' Cable) = -150
	Hot Tap 3" - 10" pipe = EX153 10" - 48" pipe = EX253				
	Description	Size	Sensor Material	Options (119/219)	Options (159/259)
FT440 Mounted on Sensor¹	Externally powered sensor (12 - 24Vdc) with FT440 rate and total indicator (with pulse and 4-20mA outputs) mounted on the sensor.	3" - 10" pipe = EX119 10" - 48" pipe = EX219	Brass = B 316 Stainless = S	Brass Adapter Fitting 2" NPT = -02 SS Adapter Fitting 2" NPT = -02 Reverse Flow Output = -15 Tamper Evident Kit = -32 Old Style Adaptor 1-1/2" NPT = -35 Low Power = -50 Non-resettable Total = -64 12" Extension (200 Series Only) = -72 Dual Relay Output = -98 Hinged Display Cover = -126 Internal Data Logger = -127 Sensus Smart Output (Includes 6' Cable) = -150	316 SS Valve Assembly = -08 No Valve Assembly = -09 Reverse Flow Output = -15 Tamper Evident Kit = -32 Non-resettable Total = -64 12" Extension (200 Series Only) = -72 Dual Relay Output = -98 Hinged Display Cover = -126 Internal Data Logger = -127 Sensus Smart Output (Includes 6' Cable) = -150
	Hot Tap 3" - 10" pipe = EX159 10" - 48" pipe = EX259				

* Immersible to maximum of 3 ft (1m), up to 2 weeks

¹ When ordering an EX with an FT440 mounted, the EX sensor cannot be loop powered.

User is responsible for reviewing end use application with their supplier for product suitability.