

Pro-M

FLANGED MAGMETER



THE RIGHT METER FOR
Industrial Process
Water & Wastewater Treatment
Municipal
Pump skids
Pump stations
Packaged plants
Filtration systems
Reclaimed water
Hydraulic fracturing

Features

- Easy setup
- Minimal straight pipe
- High Accuracy
- PTFE Liner for Great Chemical Compatibility
- High Temperature & Pressure
- No moving parts
- Integrated display
- Telemetry ready for wireless meter reading. Solutions available now by our sister company



The **Pro-M** is an electromagnetic flow meter with high pressure and temperature ratings. Using Faraday's Law of induction which allows for an unobstructed flow tube, it is available in 1" to 12" pipe sizes from Seametrics. The Pro-M is ideal for high pressure and temperature industrial processes. With minimal straight-pipe requirements, the Pro-M can be used in piping configurations where there is little space between the meter and an elbow.

The Pro-M series meters are rated IP65, which means it is dust tight and protected against heavy seas or powerful jets of water.

The Pro-M measurement is not affected by changes in fluid density, viscosity, temperature, pressure, or conductivity. Due to the unobstructed flow tube, the pressure drop across the Pro-M is negligible.

The Pro-M is equipped with fully digital processing, strong anti-interference ability, reliable measurement, high precision, and a wide flow range.

Both rate and total indication are standard as well as pulse and 4-20mA output. Rate and total units can be set via the front panel by the user. Bidirectional flow reading is standard as well. Additionally, the Pro-M has standard Modbus RTU digital communication signal output and built-in self-test and a self-diagnostic functions.

Contact Your Supplier



Specifications

Pipe Sizes	1", 1.5", 2", 3", 4", 6", 8", 10", 12"		
Flanges	ANSI 150# Flange		
Pressure	270 psi (18.62 bar)		
Temperature	Operating	-4°F to 248°F (-20°C to 120°C)	
	Storage	-4°F to 158°F (-20°C to 70°C)	
Accuracy	± 0.5% of reading (velocity > 1.97 ft/s or ± 0.01 ft/s of reading (velocity ≤ 1.97 ft/s)		
Low Flow Cutoff	3% of maximum flow rate		
Material	Body	304 stainless steel	
	Liner	PTFE (optional: Hard rubber, polyurethane, PFA)	
	Electronics Housing	Sheet Steel, Polyurethane Coated	
	Electrodes	316 stainless steel (optional titanium, tantalum, Hastelloy C, Platinum-Iridium)	
Display	Type	Aluminum converter Housing, Alpha Numeric 3-line LCD digital display with four push buttons for full field configuration	
	Digits	5 Digit Rate	9 Digit Total
	Units	Rate Volume Units	Rate Time Units
	<i>Please Note: All Pro-M meters are factory set for US GPM rate and USG total. If other units are required, they can be set in the field</i>	US Gallons UK Gallons Liters Cubic Meters	Second Minute Hour
	Bidirectional	Flow Velocity, Percentage, Forward Flow, Reverse Flow, Net total	
Alarms	FQH (High Flow Alarm), FQL (Low Flow Alarm), FGP (Empty Pipe), SYS (General Alarm Status)		
Power	DC Power	20-36Vdc, 650mA minimum	
Output	4-20mA Current Loop	Isolated, passive, 24Vdc, 650 Ω maximum current loop	
	Modbus RTU	Isolated, asynchronous serial RS485, Modbus® RTU protocol	
	Two Alarms	Alarm outputs for lower and higher limits Max voltage 36V Max Current 250mA	
	Pulse/Frequency	Current Sinking - Digital Pulse 1 – 100 Pulses/sec Photoelectric Isolate > 1000V 1 to 500 hz.	
Conductivity	≥ 20 μS/cm		
Empty Pipe Detection	Hardware/software, conductivity-based		
Environmental	IP65		

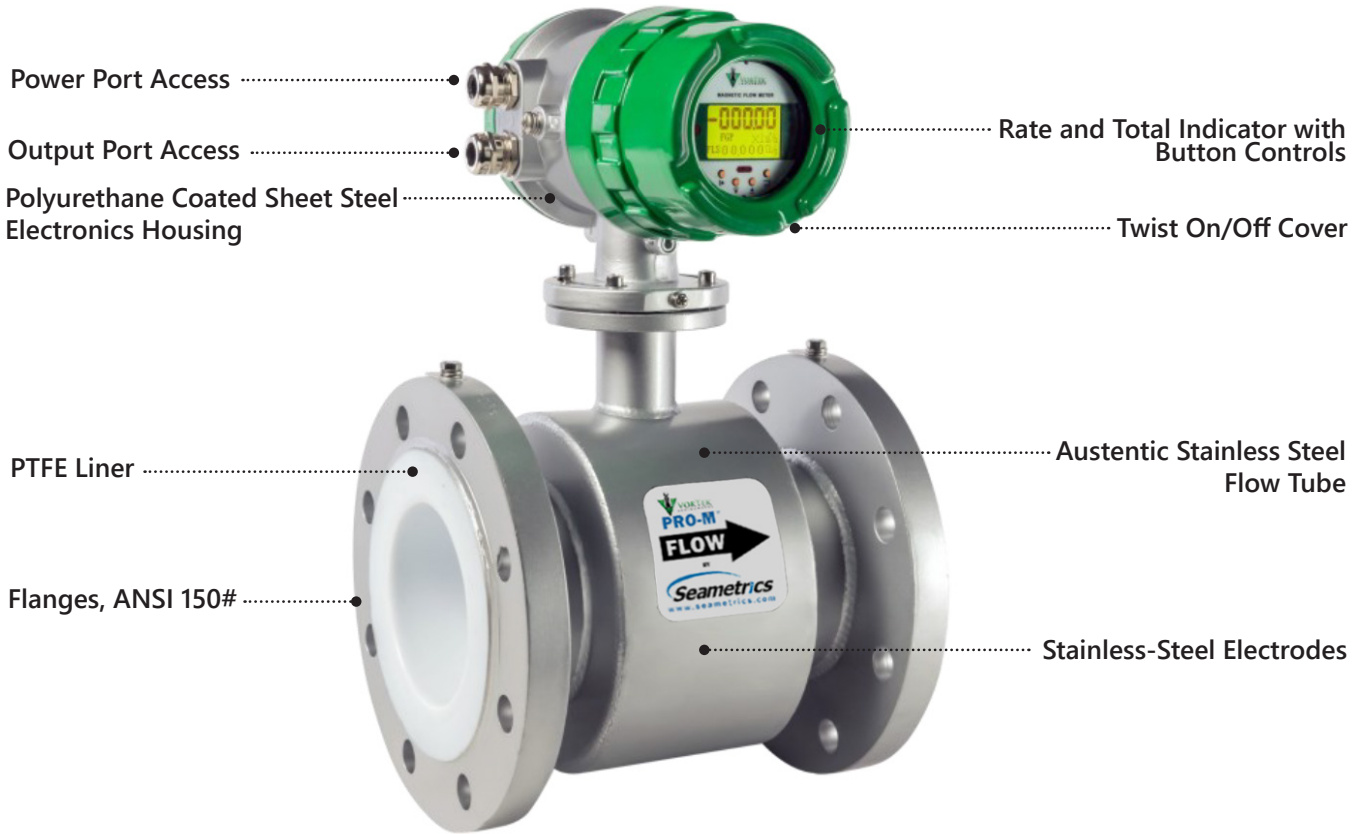
Modbus® is a registered trademark of Schneider Electric.

* Specifications subject to change. Please consult our website for the most current data (www.seametrics.com).

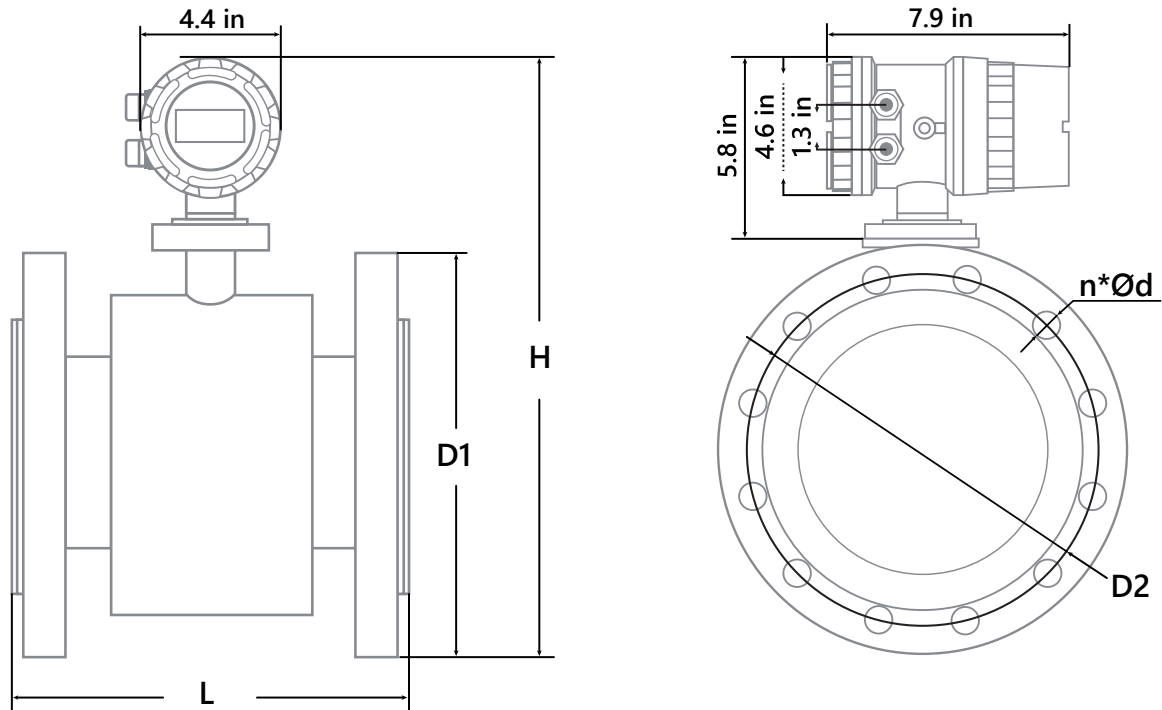
Flow Rate

Nominal Pipe Size (Inches)	1"	1.5"	2"	3"	4"	6"	8"	10"	12"
GPM Min	2.2	4.4	8.8	22	36	88	150	234	335
GPM Max	79	198	312	796	1,246	2,800	4,979	7,779	11,205
M3/Hr Min	.5	1	2	5	8	20	34	53	76
M3/Hr Max	18	45	71	181	283	636	1,131	1,767	2,545

Features



Dimensions



Pro-M Meter Size	L		H		D1		D2		Bolt Holes #	Shipping Weight		
	inch	mm	inch	mm	inch	mm	inch	mm		lbs	Kg	
1"	7.9	200	12.6	320	4.3	108	3.1	79.25	4	18	8	
1.5"	7.9	200	14.0	355	5.0	127	3.9	98.6	4	22	10	
2"	7.9	200	14.6	370	6	152.4	4.8	120.7	4	29	13	
3"	9.8	250	16.0	405	7.5	190.5	6	152.4	4	33	15	
4"	9.8	250	16.7	425	9	228.6	7.5	190.5	8	44	20	
6"	11.8	300	19.3	490	11	279.4	9.5	241.3	8	84	38	
8"	13.8	350	22.2	565	13.5	342.9	11.8	298.5	8	105	48	
10"	17.7	450	23.6	600	16	406.4	14.3	362	12	154	70	
12"	19.7	500	25.6	650	19	482.6	17	431.8	12	243	110	
Flanges	Standard ANSI 150 lb. drilling										Cable 1 lb.	